



# NSV BtB

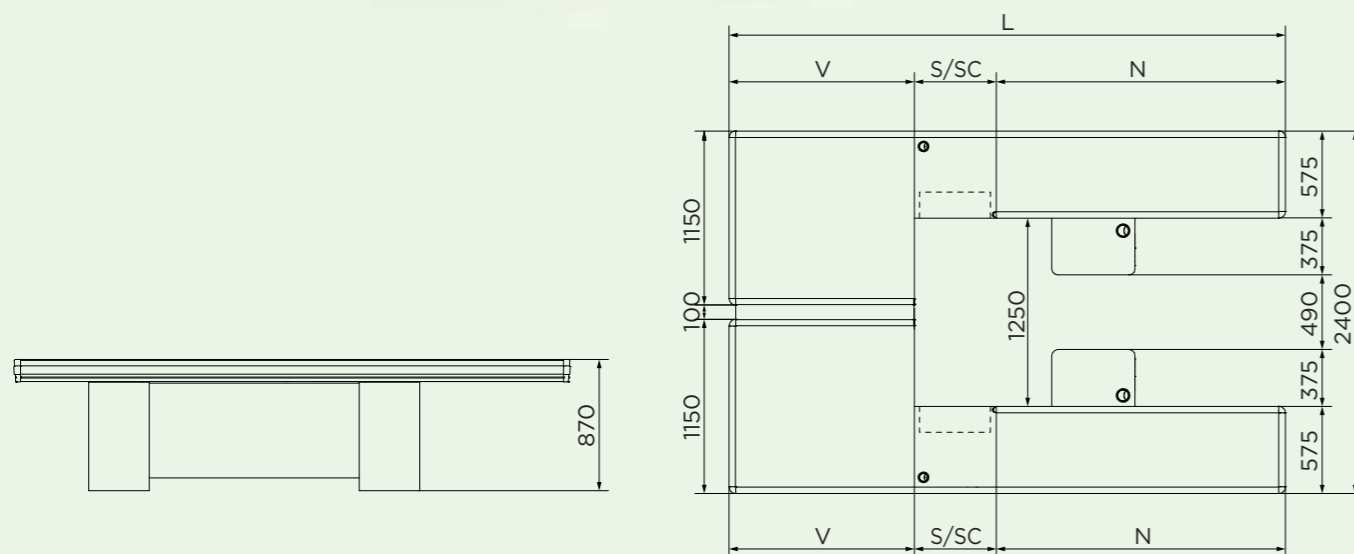
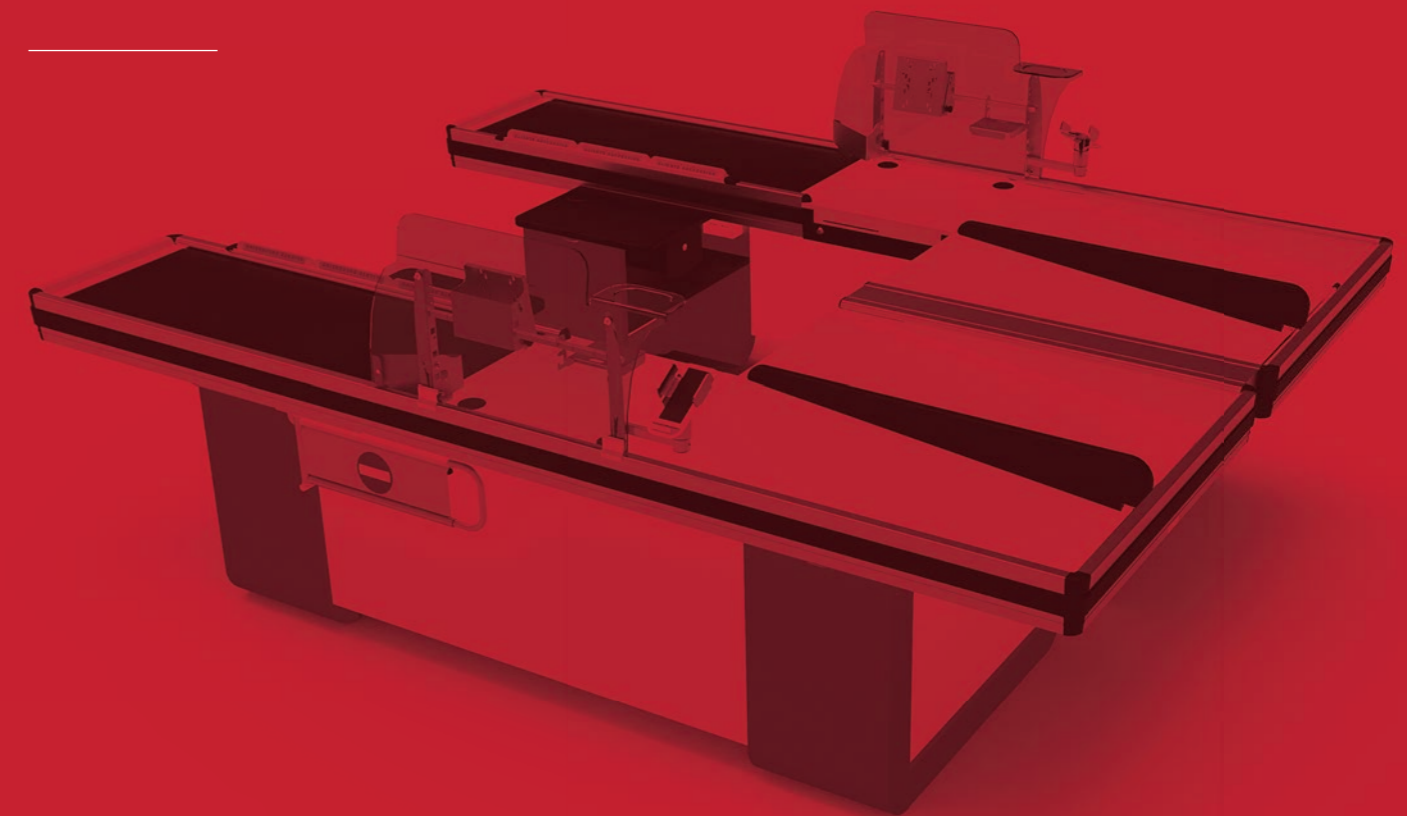
# NSCV BtB

## Maximum comfort for operator and customer

The BtB model provides for the coupling of a R and L checkout counter from the rear side, offering a safe and shared work area and a spacious and comfortable double bagging area for customers. Central module with scanner (NSV) and/or drawer (NSCV) setup.



NSV Btb CERTIFICATION NO. 648  
NSCV Btb CERTIFICATION NO. 649



## Measurements

L (mm)	N NSV/NSCV (mm)	S/SC (mm)	V NSV/NSCV (mm)	Average receipt	Area
1880	905/905	350/350	625/625	<20€ - 20÷40€	SUPERSTORE MINIMARKET SPECIALIZED SHOP
2080	905/905	350/550	825/625	<20€ - 20÷40€	
2280	1105/905	350/550	825/825	<20€ - 20÷40€	
2480	1305/1105	350/550	825/825	<20€ - 20÷40€	
2680	1305/1305	350/550	1025/825	<20€ - 20÷40€	
2880	1505/1305	350/550	1025/1025	<20€ - 20÷40€	
3080	1705/1505	350/550	1025/1025	<20€ - 20÷40€	HYPERSTORE SUPERSTORE
3280	1705/1505	350/550	1225/1225	20÷40€ - >40€	
3480	1905/1705	350/550	1225/1225	20÷40€ - >40€	
3680	2105/1905	350/550	1225/1225	20÷40€ - >40€	

All models can be used in all areas